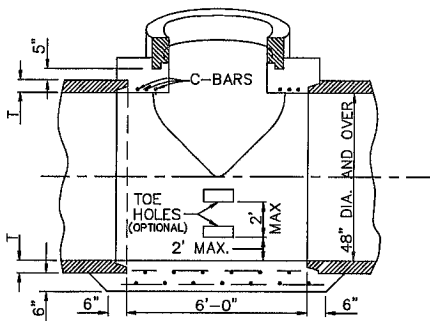
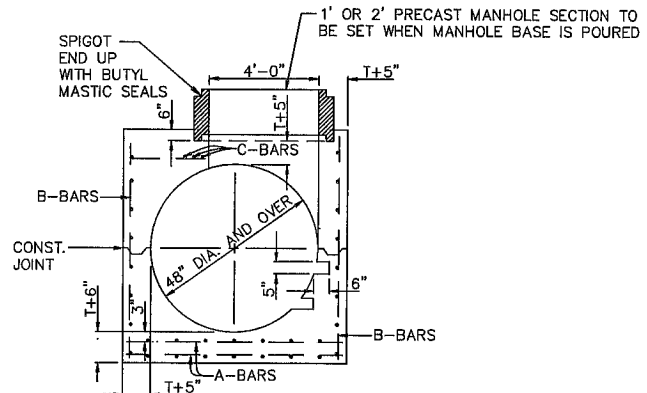


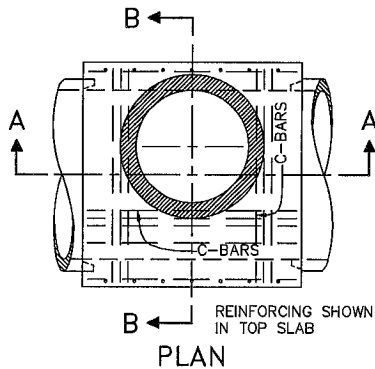
USE SAME BARREL AND CONE AS SHOWN FOR STANDARD MANHOLES ON CONDUITS 42" AND UNDER (ACC. NO. 49001).



SECTION A-A



SECTION B-B



PLAN

NOTES:

- ALL CONCRETE SHALL BE QC1.
- ALL STEEL SHALL HAVE 2" COVER EXCEPT WHERE NOTED.
- LONGITUDINAL STEEL - NO. 5 BARS @ 18" O.C.
- A AND B BARS - 12" O.C. AS SHOWN.
- C BARS - 3" O.C. AS SHOWN.
- A, B AND C BARS - NO. 5 BARS ON 48" TO 60" SEW.
 NO. 6 BARS ON 66" TO 78" SEW.
 NO. 7 BARS ON 84" TO 108" SEW.

CITY OF CINCINNATI
 METROPOLITAN SEWER DISTRICT
 STORMWATER MANAGEMENT UTILITY

**STANDARD
 MANHOLE ON CONDUITS 48"
 AND OVER TYPE "D"**

NO SCALE

APPROVED

AUGUST, 2014

 SMU CHIEF ENGINEER

ACC. NO. 49040