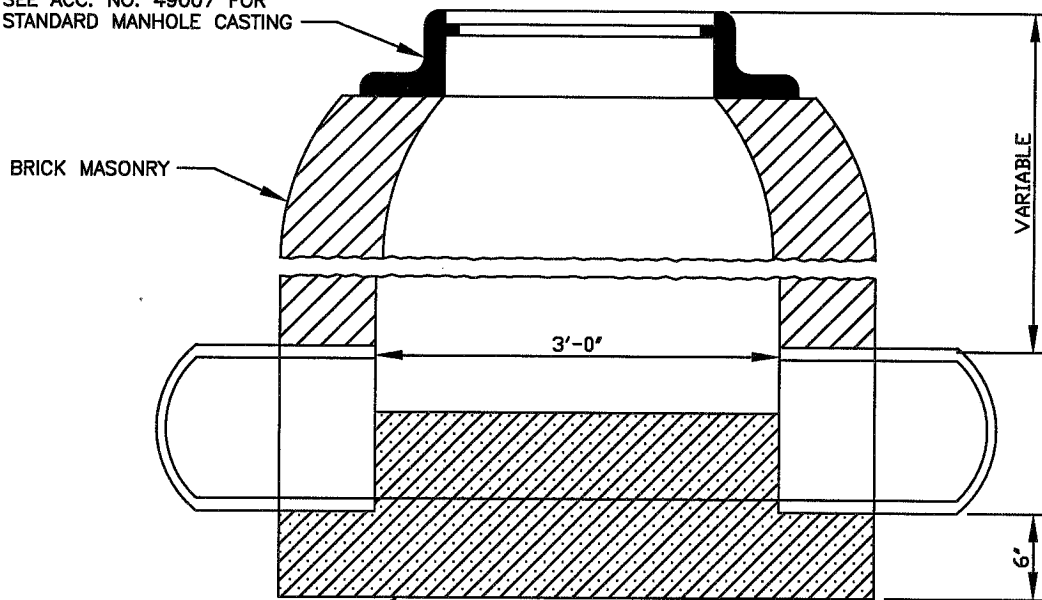


SEE ACC. NO. 49007 FOR  
STANDARD MANHOLE CASTING



QC1 CONCRETE

**SECTION A-A**

CITY OF CINCINNATI  
METROPOLITAN SEWER DISTRICT  
STORMWATER MANAGEMENT UTILITY

**STANDARD  
TYPE "B" MANHOLE**

**NOTES:**

SET FRAME FLUSH WITH PAVEMENT  
AND EMBED IN MORTAR.

NO STEPS PERMITTED IN MANHOLE.

NO SCALE

APPROVED

AUGUST, 2014

*[Signature]*  
SMU CHIEF ENGINEER

A.D.J.

**ACC. NO. 49038**