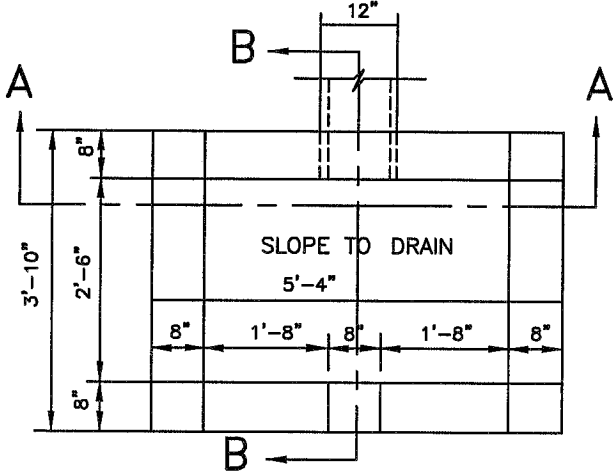


SECTION A-A

SECTION B-B

NOTE: THE INLET IS SHOWN OPEN ON FOUR SIDES. ANY OF THESE MAY BE CLOSED AS DIRECTED BY THE ENGINEER



PLAN VIEW WITH TOPS REMOVED

Inlet chamber shall be built of concrete in accordance with ODOT Specifications in the City Supplement or precast, see reinforcing steel notes Acc No. 49010

Pipes shall not enter within 8" of corner

For standard castings see Acc. No. 49012

CITY OF CINCINNATI
METROPOLITAN SEWER DISTRICT
STORMWATER MANAGEMENT UTILITY

**STANDARD
DOUBLE DITCH INLET
PLAN D.D.I.**

DEPTH	BAR	SPACING
4 TO 8'	#3	@ 16"
9 TO 12'	#5	@ 12"
12 TO 16'	#5	@ 8"

NO SCALE

APPROVED

[Signature]
SMU CHIEF ENGINEER

AUGUST, 2014

ACC. NO. 49024