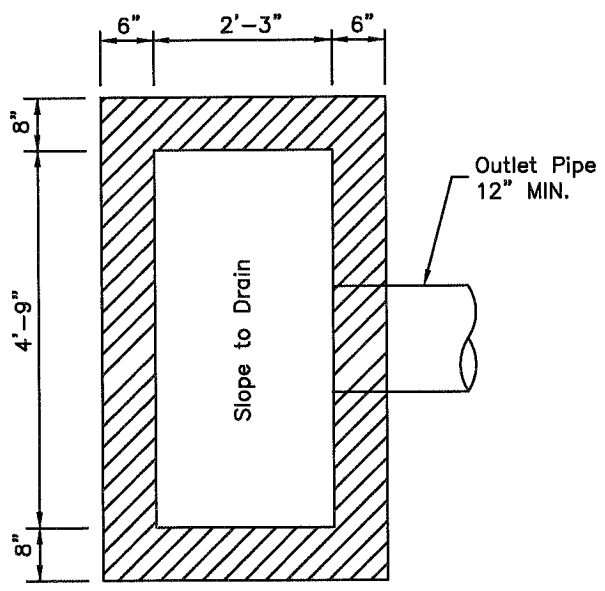


SECTION B-B

SECTION A-A



PLAN C-C

INLET CHAMBER SHALL BE BUILT OF CONCRETE IN ACCORDANCE WITH ODOT SPECIFICATIONS IN THE CITY SUPPLEMENT OR PRECAST, SEE REINFORCING STEEL NOTES ACC. NO. 49010

FOR SETTING OF INLET BOX AND CASTINGS SEE ACC. NO. 49015

FOR STANDARD CASTINGS SEE ACC. NO. 49017

PIPES SHALL NOT ENTER WITHIN 8" OF CORNER

BEAM NOT REQUIRED IF ONE PIECE CASTING IS USED.

\* OR UNLESS OTHERWISE APPROVED.

CITY OF CINCINNATI  
METROPOLITAN SEWER DISTRICT  
STORMWATER MANAGEMENT UTILITY

**STANDARD  
COMBINATION INLET  
PLAN C.I.**

NO SCALE  
APPROVED

AUGUST, 2014  
*[Signature]*  
SMU CHIEF ENGINEER