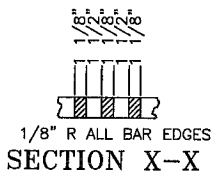
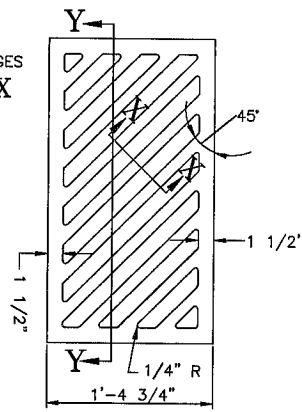


SECTION A-A

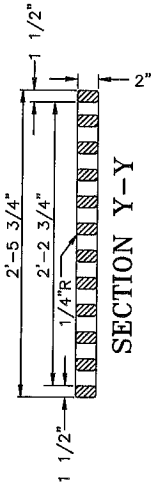


1/8" R ALL BAR EDGES
SECTION X-X

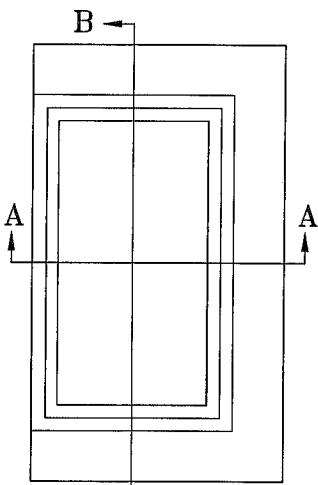
SEE ACC. NO. 49015 FOR PROPER
PLACEMENT OF GRATE.



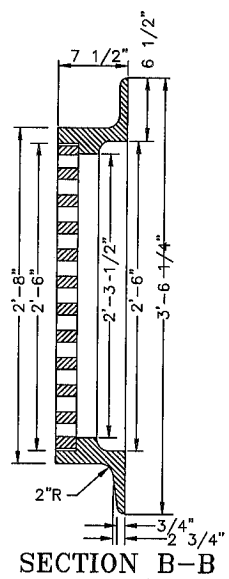
PLAN
GRATING DETAIL



SECTION Y-Y



B PLAN
FRAME DETAIL



SECTION B-B

CITY OF CINCINNATI
METROPOLITAN SEWER DISTRICT
STORMWATER MANAGEMENT UTILITY
**STANDARD
CASTING SINGLE GUTTER
INLET**

NO SCALE
APPROVED *[Signature]* AUGUST, 2014
SMU CHIEF ENGINEER

A.D.J.

ACC. NO. 49012