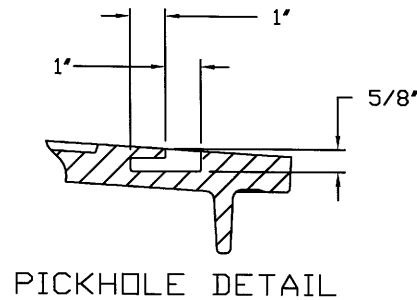
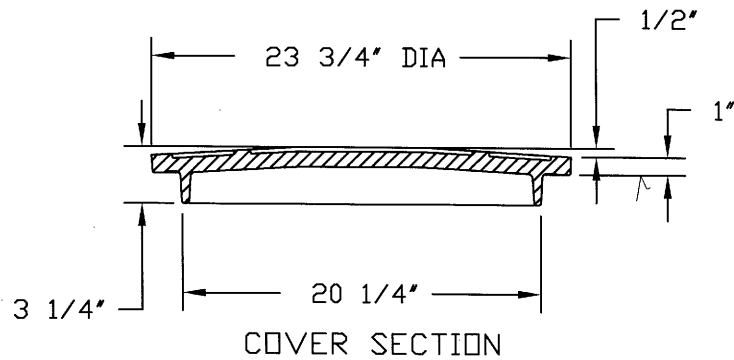


BOTTOM VIEW



THIS LID SHALL BE USED ON PRIVATE SEWERS ONLY. USE ACC. NO. 61980-A WHEN WATERTIGHT LID IS NECESSARY.

FRAME SHALL BE PER ACC. NO. 49005.

LID: EAST JORDAN PRODUCT #00204527
2045B1 COVER, OR APPROVED EQUAL

THE
METROPOLITAN SEWER DISTRICT
OF
GREATER CINCINNATI
STANDARD LID
ON PRIVATE SEWERS

NO SCALE

DATE: AUG. 2011

APPROVED:

Ralph Johnston
SEWERS CHIEF ENGINEER

M.C.

ACC. NO. 61980