

DETAIL

SECTION A-A

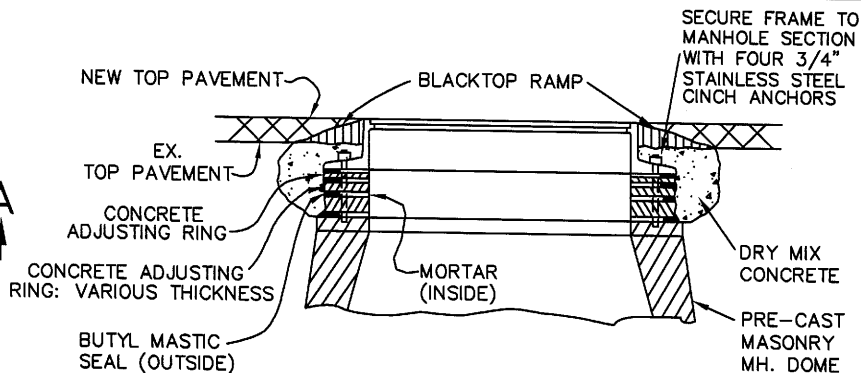
SECTION A-A

CASTING	DIMENSIONS IN INCHES									
	A	B	C	D	E	F	G	H	J	
MANHOLE	26	24	21½	23¾	1½	2	2½	3	1	

MATERIAL - ASTM DESIGNATION: A-48, CLASS 40 CAST IRON

INSTALLATION OF SHIM RING

1. CLEAN CASTING WITH WIRE BRUSH.
 2. INSERT SHIM AND CHECK FIT.
 3. IF SHIM DOES NOT FIT PROPERLY, CASTING SHALL BE ADJUSTED BY USING CONCRETE RING AND MORTAR.
 4. REMOVE SHIM AND APPLY JOINT SEALER COMPOUND TO CASTING SEATING SURFACE.
 5. INSERT SHIM ON CASTING - STACKING OF RINGS SHALL NOT BE PERMITTED.
 6. USE PAVING BREAKER TO CUT OUT AROUND CASTING, 6"W. X 1 1/2"D.
 7. ADD STORAGE MIX BLACKTOP TO CUT AND FORM RAMP TO LIP OF CASTING. TAMP FIRMLY. RAMP SHALL BE REMOVED IMMEDIATELY PRIOR TO MACHINE PAVING.
 8. ALL MANHOLE FRAMES AND COVERS, OTHER THAN STANDARD, SHALL BE REPLACED WITH STANDARD CASTINGS. (ACC. NO. 49005)
- △ IN ACCORDANCE WITH 706.10 OF THE STATE OF OHIO CONSTRUCTION AND MATERIALS SPECIFICATION.



INSTALLATION OF CONCRETE RINGS AND MORTAR

1. ALL MANHOLES ADJUSTED WITH CONCRETE RINGS AND MORTAR PRIOR TO MACHINE PAVING ARE PERMITTED TO BE ROUND CUT.
2. IF NEW ADJUSTMENT OF MANHOLE ELEVATES CASTING GREATER THAN 12" ABOVE DOME SECTION OF MANHOLE, THAT MANHOLE SHALL BE RECONSTRUCTED IN ACCORDANCE WITH 604.03 OF THE CITY SUPPLEMENT OF THE STATE OF OHIO CONSTRUCTION AND MATERIAL SPECIFICATIONS.
3. IF NEW ADJUSTMENT OF EXISTING MANHOLE IS LESS THAN 12" ABOVE DOME, THE CASTING SHALL BE CUT OUT TO TOP OF EXISTING MASONRY.
4. THE CASTING SHALL THEN BE RAISED WITH A COMBINATION OF CONCRETE ADJUSTING RINGS AND MORTAR TO DESIRED HEIGHT. THESE ADJUSTMENTS SHALL BE IN ACCORDANCE WITH 604.05 OF THE STATE OF OHIO CONSTRUCTION AND MATERIALS SPECIFICATIONS.
5. DRY MIX CONCRETE SHALL BE USED FROM BOTTOM OF CUT TO EXISTING STREET PAVEMENT.
6. ADD STORAGE MIX BLACKTOP TO FORM RAMP TO LIP OF CASTING. TAMP FIRMLY. RAMP SHALL BE REMOVED IMMEDIATELY PRIOR TO MACHINE PAVING.
7. ALL MANHOLE FRAMES AND COVERS, OTHER THAN STANDARD, SHALL BE REPLACED WITH STANDARD CASTINGS. (ACC. NO. 49005)
8. ADJUSTING RINGS SHALL HAVE A MINIMUM OF 1-#3 CONTINUOUS REINFORCING BAR IN CENTER.

NOTE: IF THE MANHOLE IS NOT PRECAST, THEN BRICK AND MORTAR SHALL BE PERMITTED.

THE
METROPOLITAN SEWER DISTRICT
OF
GREATER CINCINNATI
**SANITARY MANHOLE ADJUSTMENT WITH
PRECAST CONCRETE RING & MORTAR
PRIOR TO MACHINE PAVING**

NO SCALE DATE: AUG., 2006

APPROVED: 
SEWERS CHIEF ENGINEER

B.W.

(ALTERNATE FOR ACC. NO. 49058)

ACC. NO. 49058-A