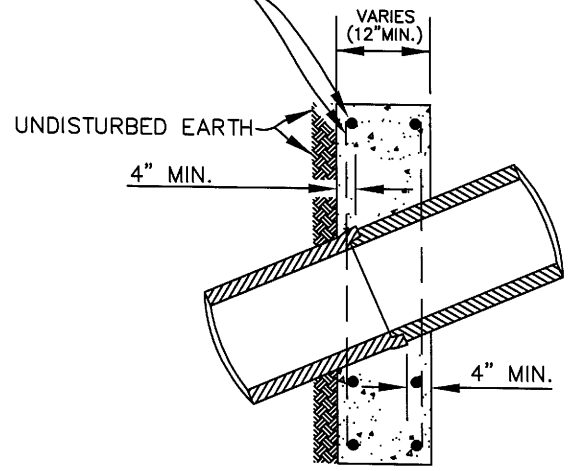


ALL BARS SHALL BE #4 WITH MIN. 2" COVER.



SECTION B-B

NOTE:  
CONCRETE SHALL BE CLASS "C"

THE  
METROPOLITAN SEWER DISTRICT  
OF  
GREATER CINCINNATI  
**STANDARD  
KEY BLOCK**

NO SCALE  
APPROVED:

*[Signature]*  
DATE: AUG., 2006  
SEWERS CHIEF ENGINEER

S.N.

ACC. NO. 49039