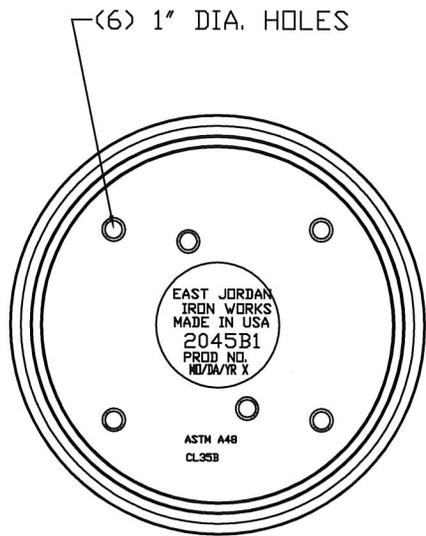
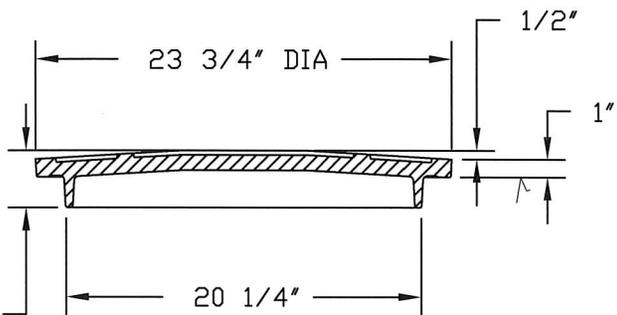




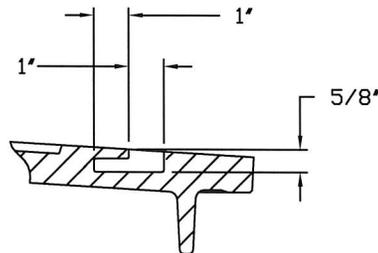
(2) CLOSED PICKHOLES — 2"



BOTTOM VIEW



COVER SECTION



PICKHOLE DETAIL

THIS LID SHALL BE USED ON PRIVATE SEWERS ONLY. USE ACC. NO. 61980-A WHEN WATERTIGHT LID IS NECESSARY.

FRAME SHALL BE PER ACC. NO. 49005.

LID: EAST JORDAN PRODUCT #00204527 2045B1 COVER, OR APPROVED EQUAL

THE  
METROPOLITAN SEWER DISTRICT  
OF  
GREATER CINCINNATI  
STANDARD LID  
ON PRIVATE SEWERS

NO SCALE

DATE: AUG. 2011

APPROVED: *Robert Johnston*  
SEWERS CHIEF ENGINEER

M.C.

ACC. NO. 61980