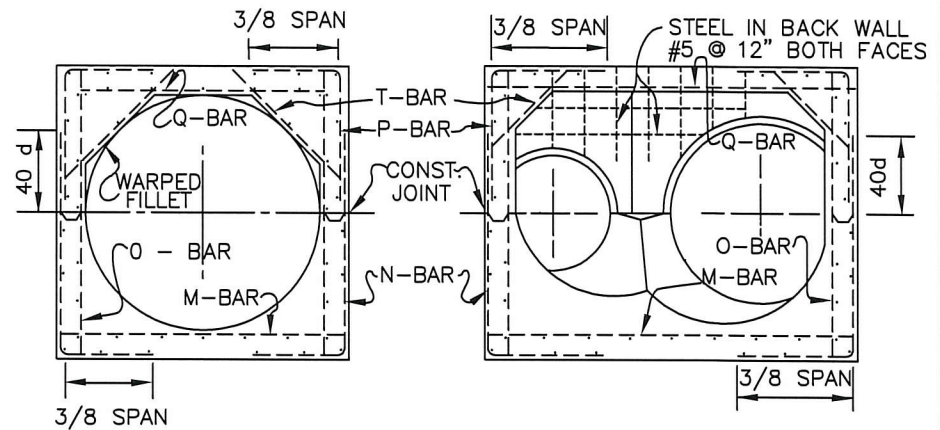
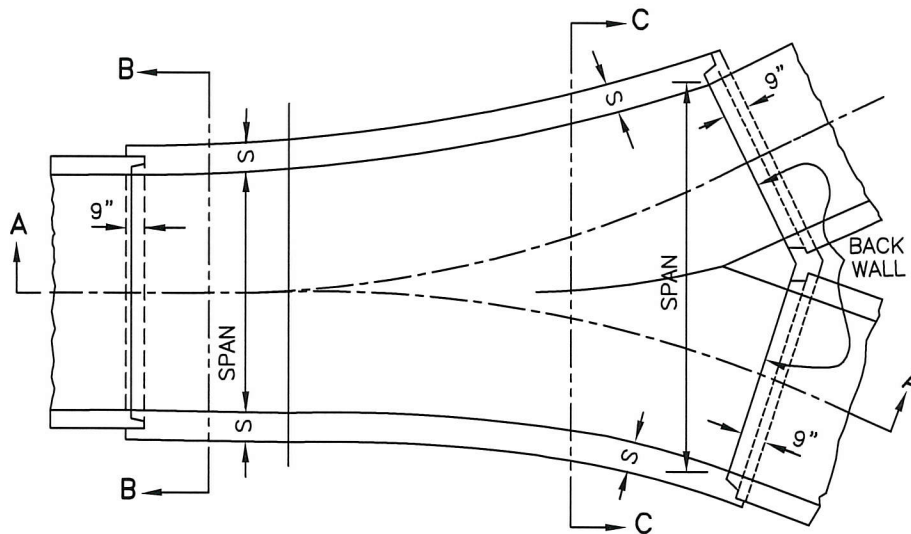


SECTION A-A



SECTION B-B

SECTION C-C



SECTIONAL PLAN

NOTE:

TOP AND BOTTOM SLABS AND SIDE WALLS VARY IN THICKNESS FROM A MINIMUM AT SHORT SPAN TO MAXIMUM AT LONG SPAN WITH DIMENSIONS AS SHOWN IN THE TABLE.

SIZE AND SPACING OF REINFORCING STEEL AS INDICATED IN THE TABLE SHALL BE SELECTED FOR THE RESPECTIVE INCREMENTS OF SPAN, AS DETERMINED FROM THE CONTRACT DRAWINGS OF THE CHAMBER.

STEEL TO HAVE A MINIMUM COVER OF 2 INCHES EXCEPT IN BOTTOM SLAB, WHICH IS TO HAVE A COVER OF 3 INCHES IN EACH FACE.

THIS STANDARD TYPIFIES THE STRUCTURAL DIMENSIONS AND REINFORCING DETAILS FOR A CONCRETE JUNCTION CHAMBER.

THE CHARACTERISTICS OF THE INVERT SHALL BE THE SAME AS INDICATED ON THE CONTRACT DRAWING FOR THE JUNCTION CHAMBER.

CONCRETE SHALL BE CLASS "C"

| SPAN | CONC. DIMENSIONS | | | REINFORCING BARS & SPACING | | | | | |
|----------------|------------------|-----|-----|-------------------------------------|--------|--------|--------|--------|--------|
| | A | I | S | M | N | O | P | Q | T |
| 4.0' to 7.0' | 10" | 12" | 10" | #7@10" | #6@10" | #5@20" | #6@10" | #7@10" | #5@20" |
| 7.0' to 10.0' | 12" | 14" | 10" | #7@8" | #6@8" | #5@16" | #6@8" | #7@8" | #5@16" |
| 10.0' to 13.0' | 15" | 18" | 12" | #7@6" | #6@6" | #5@12" | #6@6" | #7@6" | #5@12" |
| 13.0' to 16.0' | 18" | 21" | 15" | #8@6" | #6@6" | #5@12" | #6@6" | #8@6" | #5@12" |
| | | | | LONG BARS #5 ± @ 15" ± ALL SECTIONS | | | | | |

J.A.W.

THE
METROPOLITAN SEWER DISTRICT
OF
GREATER CINCINNATI
**STRUCTURAL DIMENSIONS AND
STEEL DETAILS FOR REINFORCED
CONCRETE JUNCTION CHAMBERS**

NO SCALE

DATE: AUG., 2006

APPROVED:

[Signature]
SEWERS CHIEF ENGINEER

ACC. NO. 49029