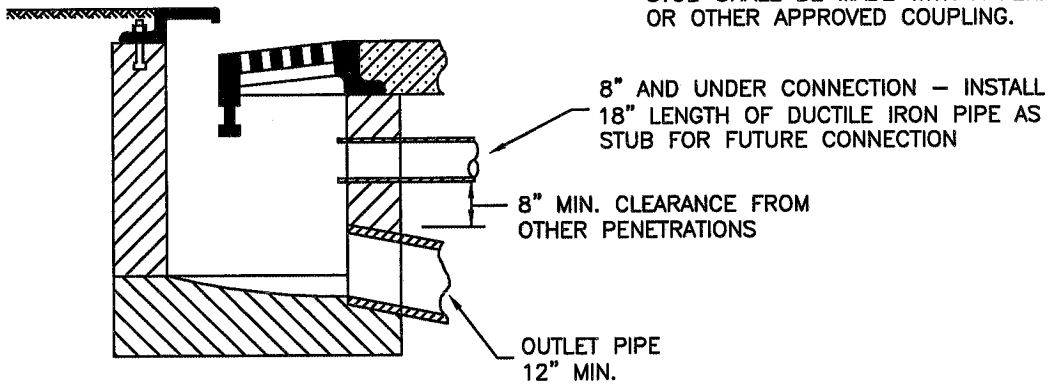


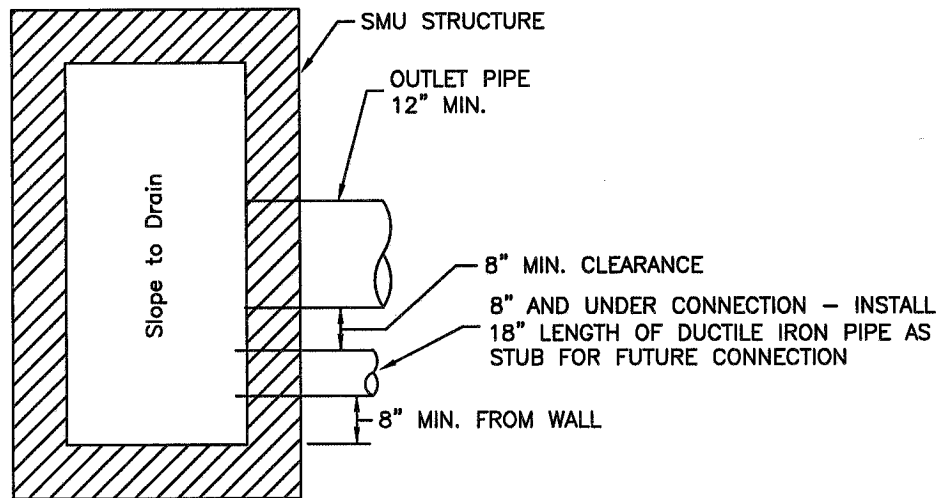
ALL WALL PENETRATIONS SHALL BE CORED OR PRECAST. CORED HOLES MUST BE A MINIMUM OF 8" IN ALL DIRECTIONS.

A "KOR-N-SEAL", "A-LOK", OR OTHER APPROVED GASKET SHALL BE INSTALLED BETWEEN THE STRUCTURE AND UNDERDRAIN STUB.

CONNECTIONS TO THE DUCTILE IRON STUB SHALL BE MADE WITH A FERNCO OR OTHER APPROVED COUPLING.



TYPICAL PROFILE



TYPICAL PLAN

CITY OF CINCINNATI
METROPOLITAN SEWER DISTRICT
STORMWATER MANAGEMENT UTILITY

STANDARD 8" AND UNDER CONNECTION TO SMU STRUCTURE

NOTE:
PROVIDE A STOPPER PLUG AND SEAL STUB END IF NOT CONNECTING AT THE TIME OF CONSTRUCTION.

NO SCALE

SEPT., 2014

APPROVED

[Signature]
SMU CHIEF ENGINEER